

technical  
and commercial

## dossier

### Tandem Series

---

panoramic **sliding door**

acristalia



technical  
and commercial  
dossier



where you want to be

# Table of contents

- p. **4** Discover **our panoramic sliding door**
  - Introduction **to the basics**
  - A few **features**
  - Guide options** and locking mechanisms
  - Opening** mechanisms
- p. **8** Following **the rules**
  - Quality **specifications**
- p. **10** Configuration **options**
  - Maximum **sizes and possible configurations**
- p. **12** **Technical** features
  - Integrated **solutions**
- p. **15** Dimensioned **profiles**
  - Overview of **dimensions**

# Discover our panoramic sliding door

## Introduction to the basics

The **Tandem Series** is a solution for those projects that require the economy of space by ensuring that the system does not invade the adjoining area and in those installations that need the weight of the system to rest on the

lower guide. This document is intended to serve **as a tool to learn more about the technical and visual features of the most panoramic system in our catalog.**



This is the **star product in the hospitality sector**. Easy to use, and more durable, it allows the opening and closing of the entire system by simply sliding the main panel.



We have a wide range of **materials, finishes and colours from the RAL chart**, as well as anodised and wood imitation finishes allowing the product to be customised.



We deliver fully pre-assembled and machined, making **installation very easy, quick and requiring no building work**. Besides, there are several possibilities of set-up.



It allows height adjustment, multiple safety options and **optimisation for water drainage**.

## A few features

### The panels

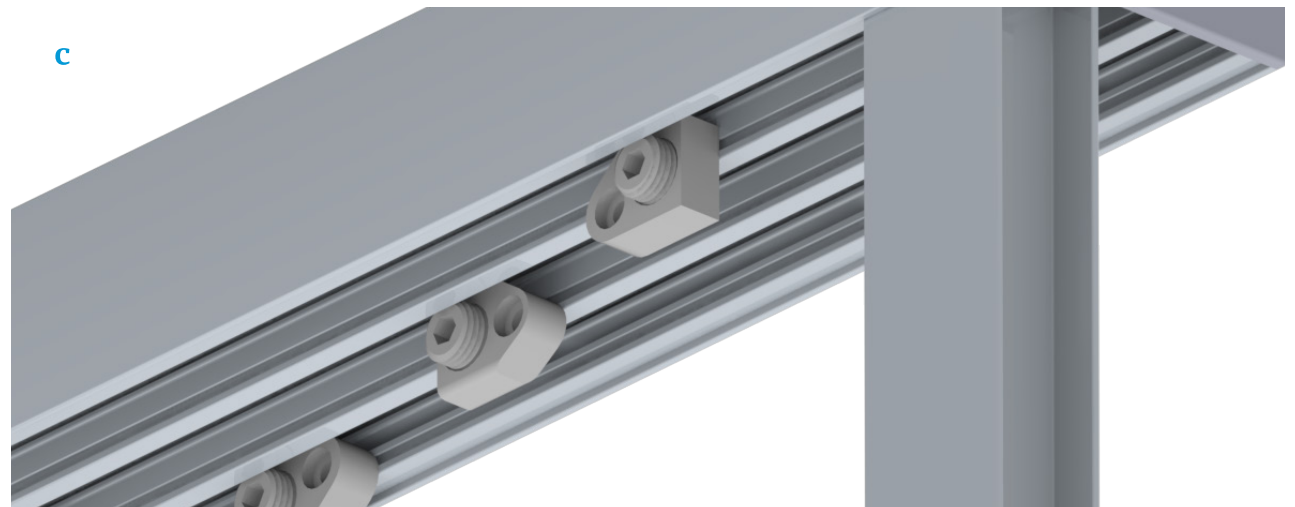
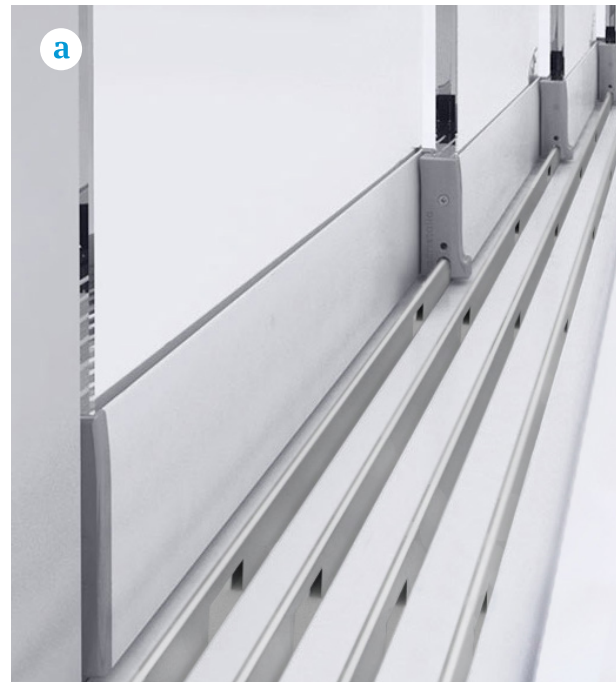
Panoramic sliding doors can reach a maximum **height of 3.5 metres, with superpanoramic panels of up to 2 metres wide depending on their weight** (max. 100 kg). These can be made of tempered, laminated or solar control glass. Basically, any composition with a total thickness of 10 or 12 mm. In the following pages, we will define the possible sizes of the panels using a graph that is illustrated in the chapter *Possibilities of installation*.

### The rails

The Tandem Series has two options for its rails: **continuous (image a) and optimised (image b)**. More details will follow on the following pages.

### Anti-theft system

This system is completely optional and its installation is carried out **after installation (image c)**. See our document *Retrofitting the anti-theft system*.



## Guide profiles and locking mechanisms

In this section, we show the different options of guides available. Since both have their advantages, both aesthetic and functional, **the choice of one or the other will depend on the needs of each project.**



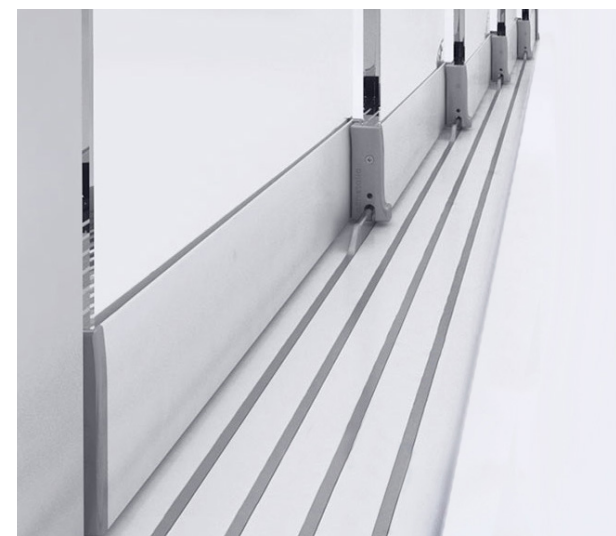
### Continuous rails

The continuous rails have INOX guides along the entire length of the guide, which allows the **double opening direction**. These rails have the option of **machining the outlets for the correct water drainage.**



### Optimised rails

The optimised rails have trimmed guides that **only allow opening in one direction**, leaving one panel always fixed. As an advantage, **it is easier to evacuate water** (no drains are required), **the lower guide is easier to clean and the visual appearance of the product is enhanced.**



## Opening mechanisms

With regard to the opening mechanisms, the panoramic sliding door has the following alternatives: **security lock with central opening or side opening, security lock with 90° opening or flush finger pull.** The last one can be completed with a push lock to lock the panel. This will be installed in the side frame.



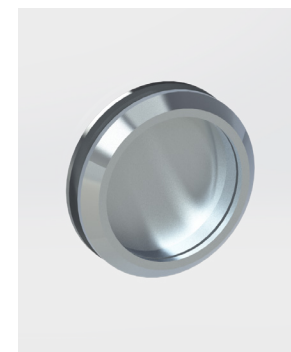
**Security lock with central opening**



**Side-opening security lock**



**Security lock with 90 degrees opening**



**Flush finger pull**



**Push lock**

## Complying with the rules

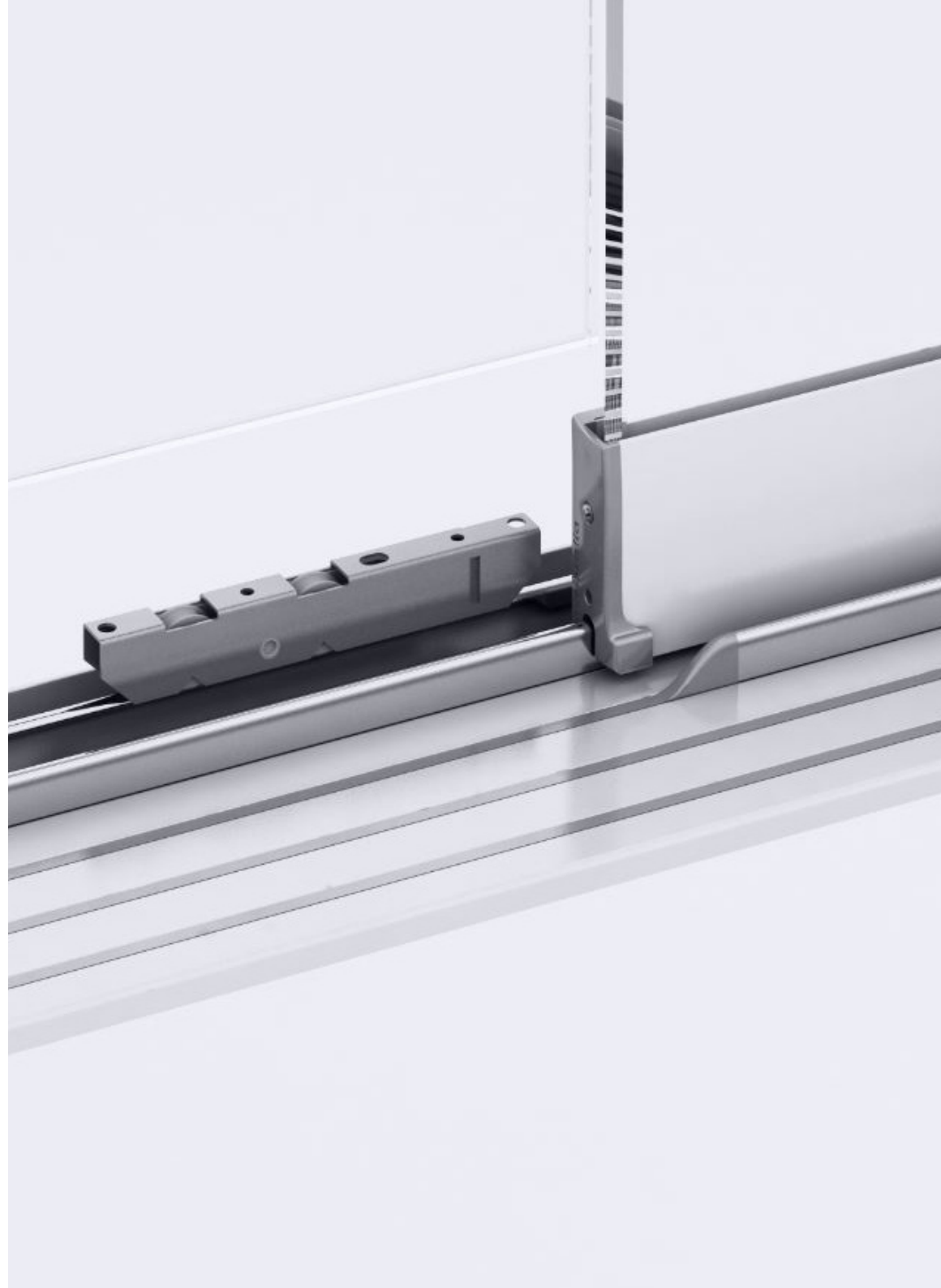
### Quality specifications

Acristalia manufactures all its products under strict quality controls regularised and specified in the quality management system in **accordance with the UNE-EN ISO 9001:2015** standard and guarantees that all the materials used in the manufacture of its products are of the highest quality, complying with the following regulations: **Aluminium CE-marked** in accordance with the new European regulation of building products (EU) 305/2011 and the harmonised standard UNE-EN 15088:2006: aluminium and aluminium alloy products for structural applications. In addition, it complies with quality standards for the surface treatment of profiles (Qualicoat, Qualanod and Qualideco).

Guarantee on **aluminium profile materials**, in terms of material purity and possible corrosion, caused by impurities or factory incrustations, according to EN 15088:2006, EN 755-9:2016.

Guarantee against **deformation of the aluminium**, either by itself or due to the lack or insufficient tempering of the profiles.

Guarantee on **finishes, lacquering and anodizing** as stipulated by the European quality mark Qualicoat, Qualanod, Qualideco, approved by the Ministry of Fomento for powder surface treatments. These treatments guarantee a uniform ageing of the colours with the absence of patches and occasional discolouration.







## Certificates

Our products are under strict controls, tests, and trials. **We work to ensure that Acristalia's products are synonymous with safety and reliability.**

For further information on these trials, **please visit the 'Documentation' section at [acristalia.com](https://www.acristalia.com).**

### Acristalia Adhesive Certificate ACCORDING TO ETAG 002

The results obtained have been excellent both at ambient temperature as well as in extreme conditions of -20oC and +80oC, reaching up to almost five times its adhesion power to the maximum value required by Acristalia's frameless Systems

#### Test results Glass - adhesive - U-profile

Standard test specimens (23oC / 50%RH)  
Average value: 1.62 kN  
Conditioned specimens (24h at -20o)  
Average value: 1,22 kN  
Conditioned specimens (24h at +80o)  
Average value: 1,22 kN

### Air tightness and wind load resistance ACCORDING TO UNE-EN 1932:2014 AND UNE-EN 1026:2017

This test has been carried out with a system with two sliding panels of overall dimensions 3000x3000 with a glass thickness of 10 mm and 3000x3500 mm with a glass thickness of 12 mm glass thickness.

#### Test result Wind load resistance

Sliding 3000x3000 mm with 10 mm glass - Class 6  
Sliding 3000x3500 mm with 12 mm glass - Class 6

#### Test result Air tightness

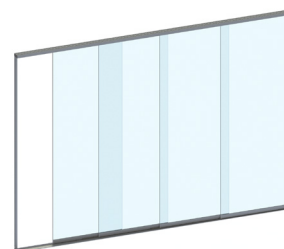
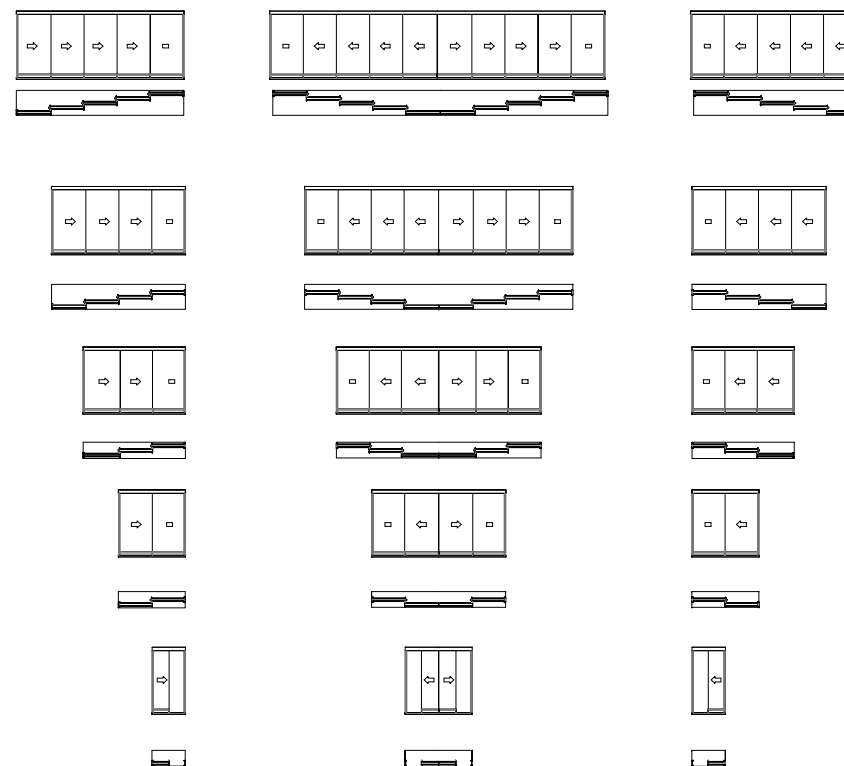
Sliding 3000x3000 mm with 10 mm glass - Class 1  
Sliding 3000x3500 mm with 12 mm glass - Class 1

## Configuration options

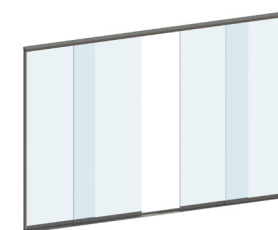
### Maximum sizes and possible configurations

The Acristalia panoramic sliding doors offer different types of configuration different **types of installation** to suit the requirements of any project. As shown in the following images it is possible **to install from 1 to 10 panels per partition**. The opening can be either side or central. In addition, it is possible to open at an angle for corner installations.

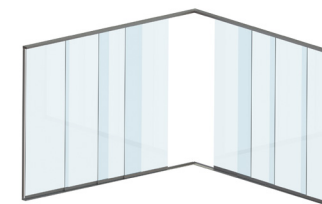
The installation should be arranged in such a way that simply moving the main panel(s) allows the entire system to be opened or closed. As mentioned in previous sections, **the Tandem Series panels can be up to 3.5 metres in height with tempered, laminated, solar control or any other composition up to 10 or 12 mm**. The finish profiles can be in any colour from the **RAL colour chart**, anodised or imitation wood finishes.



Side opening



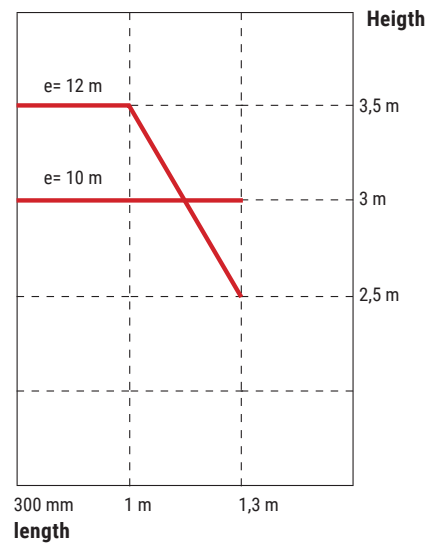
Central opening



Angle opening

### Tempered glass classification

All our glass is CE marked in accordance with the UNE-EN 12150-1:2016 standard, obtaining the maximum resistance classification 1C1 according to the UNE-EN standard 12600:2003.



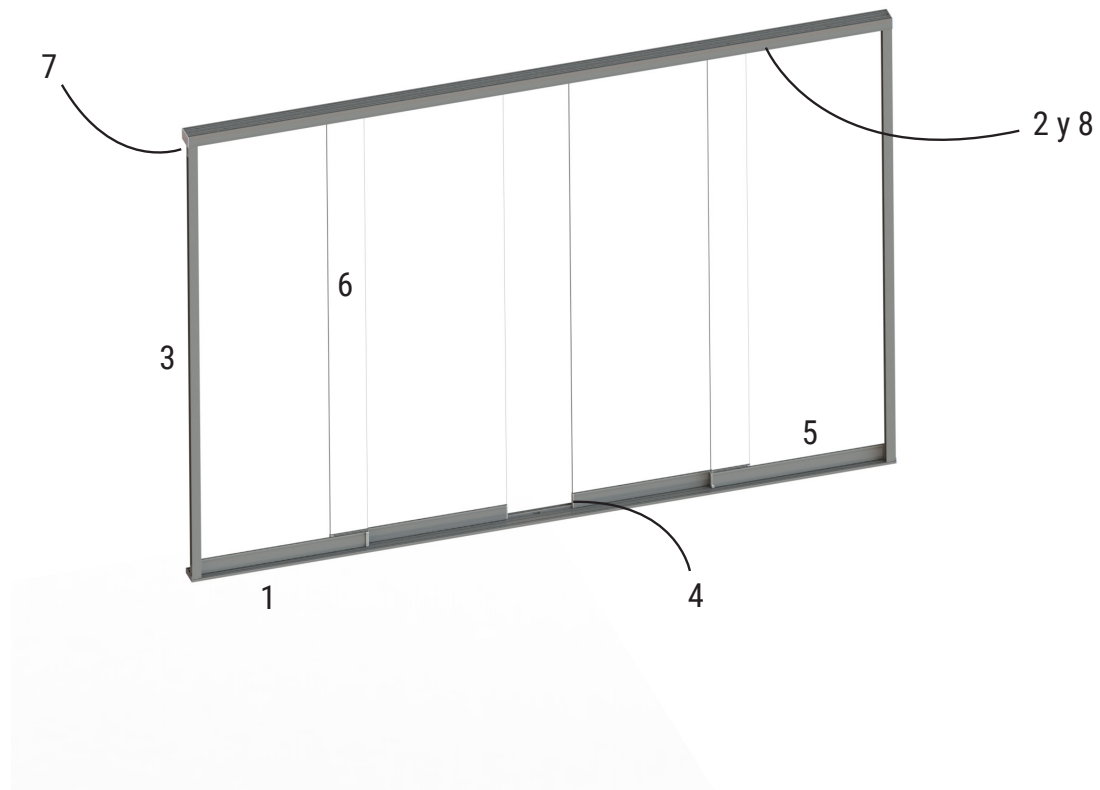
**This graph shows the possible sizes of the Tandem door panels depending on the thickness of the glass, taking into account that the maximum weight is 100 kg.**



# Technical features

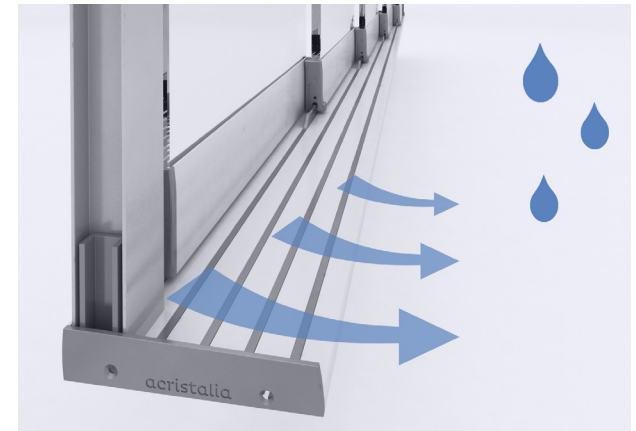
## Integrated solutions

This section describes the range of technical features of the system making it an **all-in-one system** as it is **practical, functional, and visually appealing**.



**1. Practical and functional design of guides, designed to be aesthetically integrated into the environment.**

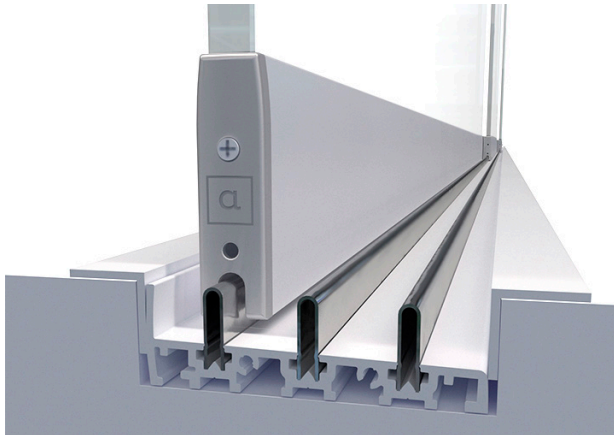
**a. Optimized guides designed to facilitate water drainage and cleanliness.**



**b. Continuous guides offer the advantage of double opening.**



c. Embedded bottom guides that ease **even more the accessibility**.



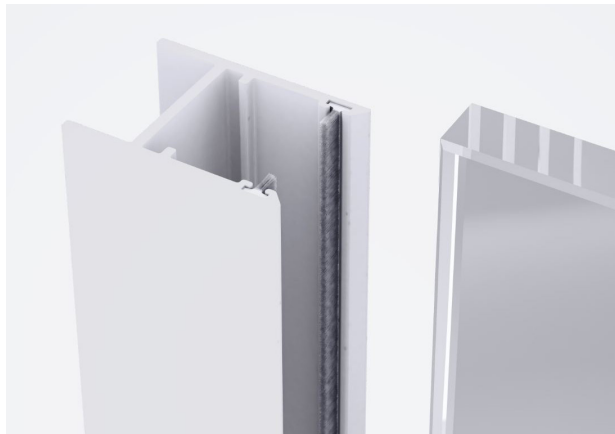
2. The top guide allows adjustment in height up to 16 mm

Allowing for **easier installation, better access to the panel**, as well as reducing the reduce possible problems of unevenness.



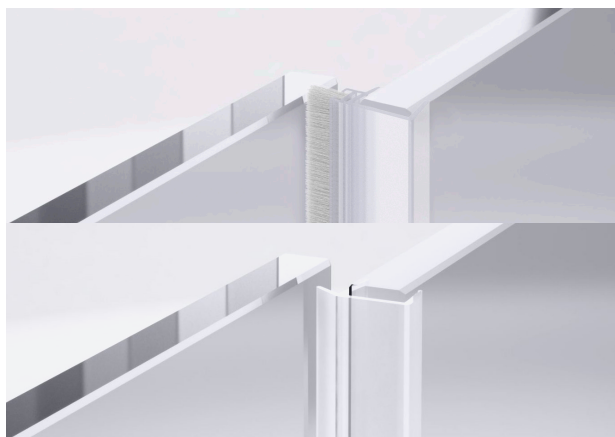
### 3. Enhanced watertightness with side frame profiles.

To improve the tightness of the system, a **brush has been integrated inside the side frames and panel profile.**



### 6. Sealing strips between panels for improved tightness.

**Our sealing stripes are barely visible** and contributor to maintaining the panoramic concept. They come as standard. The plastic option is available on request.



### 4. Height adjustment up to 7 mm.

The bearings used for each panel **allow for adjustment of up to 7 mm** which benefits the the levelling of the installation.



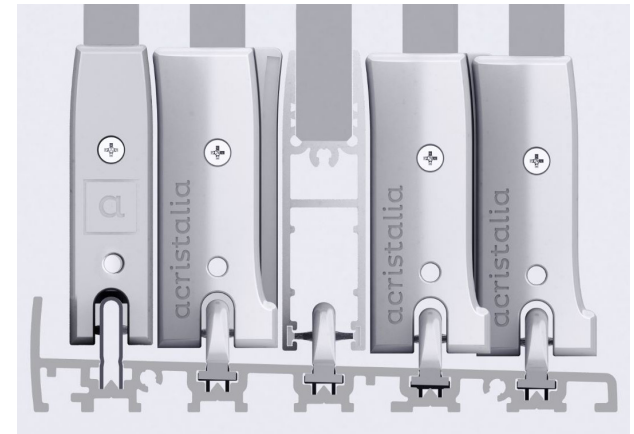
### 7. Top guide trim covers

For the optimized rail option, the top guide is fitted with a **trim cover to improve the look of the design** in the unused part of the rails.



### 5. Seamlessly integrated in both open and closed positions.

To improve the tightness of the system, a brush **has been integrated inside the side frames and panel profile.**



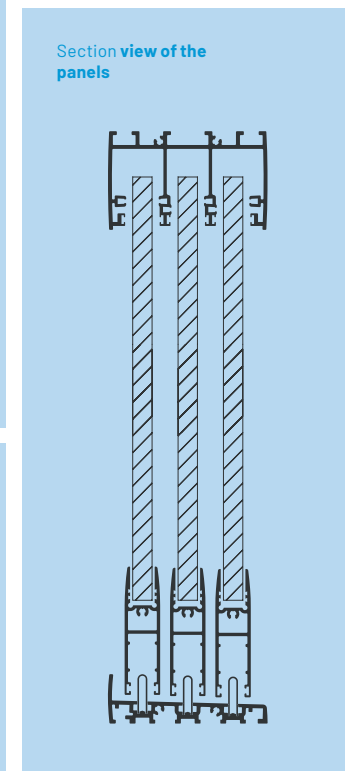
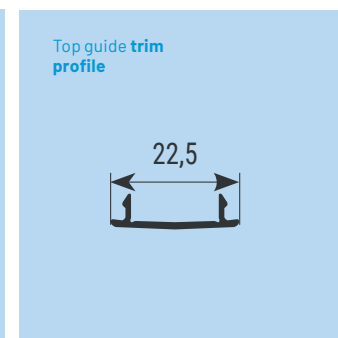
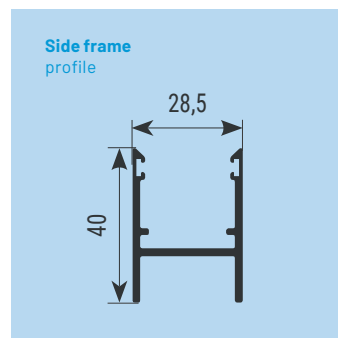
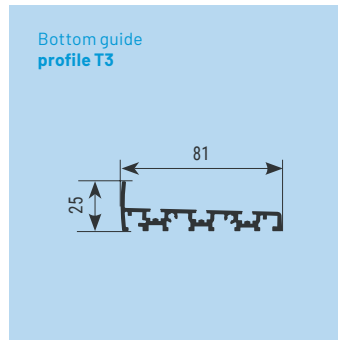
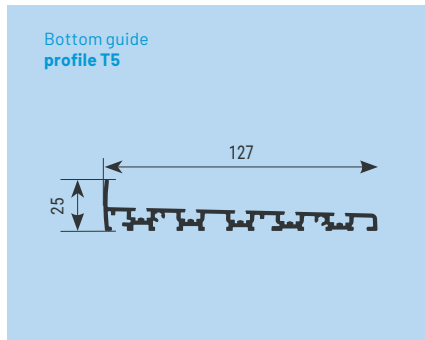
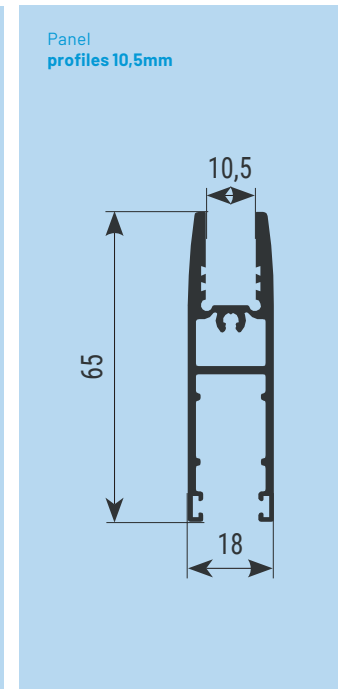
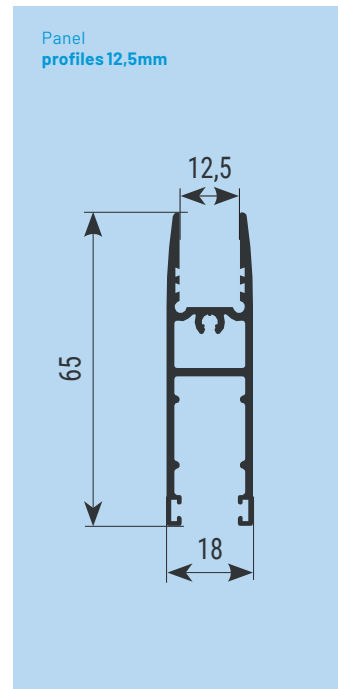
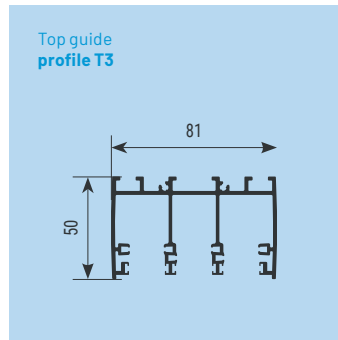
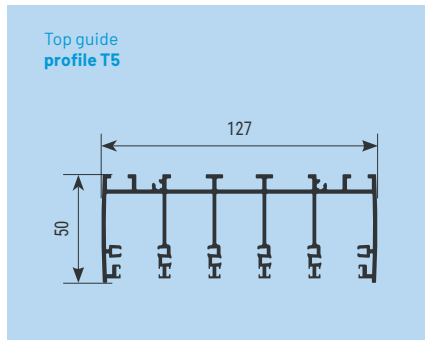
### 8. Anti-theft device.

These parts **prevent the panel from being lifted up**, therefore preventing malicious manipulation.



# Dimensioned profiles

## Overview of dimensions











Now  
**it's your  
turn...**

**Share  
your project  
with us!**

acristalia.com  
t. 952 198 752

